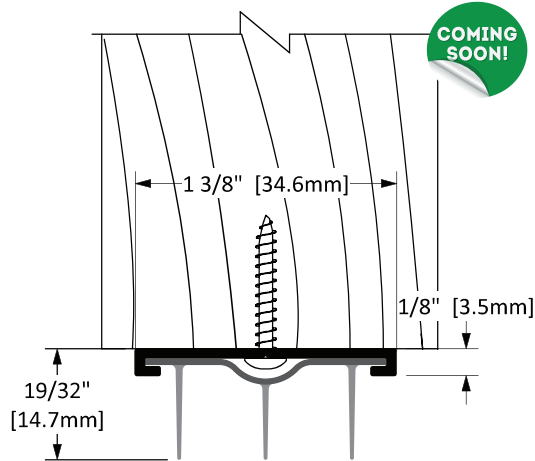


DOOR SHOES

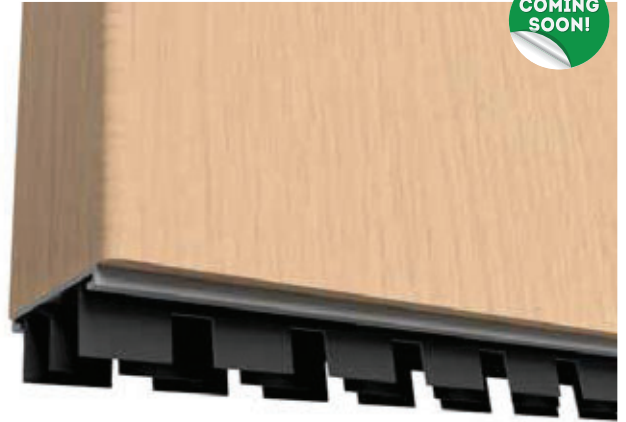


COMING SOON!

CT-548



EXTRUDED ALUMINUM & SANTOPRENE CO-EXTRUSION
STD Finish: Mill

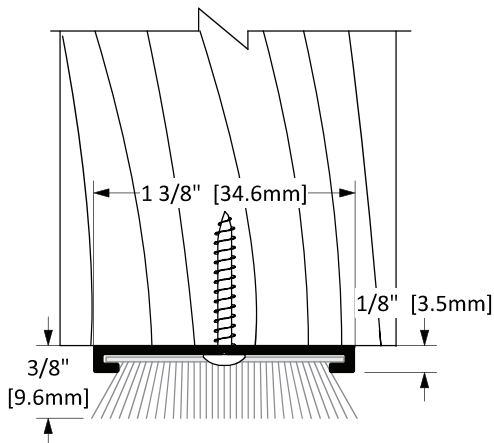


COMING SOON!

CT-548AF

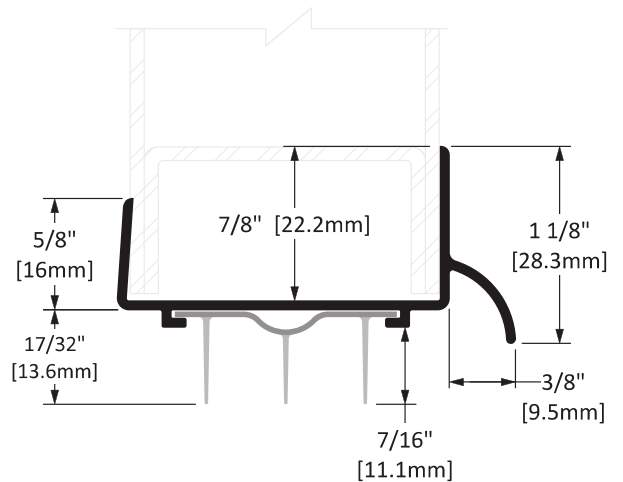
EXTRUDED ALUMINUM & SANTOPRENE CO-EXTRUSION
STD Finish: Mill

Our Air Flow (AF) Door Shoe technology allows for increased air flow while still providing light and sound attenuation. The design features three alternating rows of notched sound-sealing neoprene to disperse light and sound while retaining air flow. This technology is commonly used in hotel doorways to improve consistency of air conditioning between guestrooms and hallways while still maintaining privacy and comfort for guests.



CT-55

EXTRUDED ALUMINUM & PILE
Screw Type: N
OPT Screw Type: O
STD Finish: Mill



CT-745



EXTRUDED ALUMINUM & SILICONE
STD Finish: Mill

For 1 3/4 in [44.5 mm] thick doors.